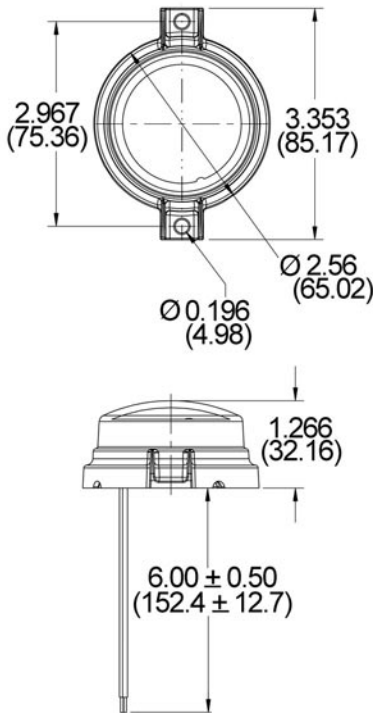




Model 146 (3/4 Front View)



Dimensions in inches (mm in parentheses).
Dimensions are for reference only.

Product List

Model Number	Description
146-12V	12V LED Flashing Warning Light
146-24/36V	24-36V LED Flashing Warning Light

Features & Benefits

- Available in 12V DC or 24-36V DC configurations
- UV-resistant polycarbonate lens
- Rugged solid state LEDs can withstand shock & vibration
- Long-lasting LEDs mean never having to replace another bulb again!
- Tough polycarbonate housing prevents rust & corrosion
- Low profile mount
- Choose from amber, green, or red lenses

General Specifications

Lens Material :	Polycarbonate
Warranty:	4-year Limited Warranty
Housing Material :	Polycarbonate
Mounting :	Low Profile Mount
Wiring:	6" Bare Leads

Technical Specifications

12V Version	24-36V Version
12V DC Input	24-36V DC Input
0.020 Amps @ 12V DC	0.020 Amps @ 24V DC
	0.020 Amps @ 36V DC

Standards Compliance

Sealed to IP67

Applications

Lawn & Garden	Material Handling	Off-Highway
Recreational	Specialty Trucks	Utility