

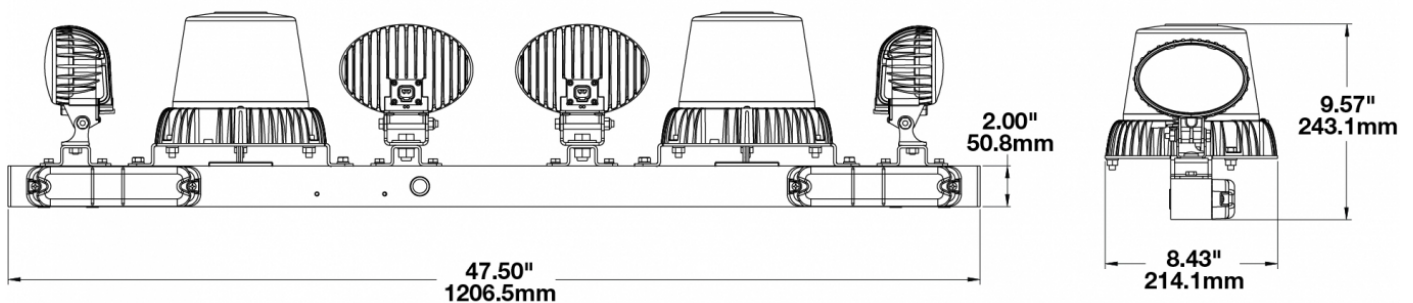
# LED Light Bars - Model MB735

## PRODUCT INFORMATION

<b>Description</b>	12V SAE LED Light Bar with 2 Amber Strobes
<b>Height</b>	243.08 mm / 9.57 in
<b>Width</b>	1206.50 mm / 47.5 in
<b>Depth</b>	214.12 mm / 8.43 in
<b>Housing Color</b>	Black
<b>Mounting Hardware Description</b>	2 blind rivets on each side for M8 mounting bolt
<b>Product Weight</b>	28.52 lbs / 12.94 kgs



## PRODUCT DIMENSIONS



Print date: 2018-05-20

© 2018 J.W. Speaker Corporation • Germantown, WI U.S.A.  
 www.jwspeaker.com • speaker@jwspeaker.com • 262.251.6660

**J.W. SPEAKER**  
 Engineered. Lighting. Solutions.

# LED Light Bars - Model MB735

## ELECTRICAL SPECIFICATIONS

---

<b>Input Voltage</b>	12V DC
<b>Red Wire</b>	Stop (281)
<b>Brown Wire</b>	Tail (281)
<b>White Wire</b>	Reverse (281)
<b>Black Wire</b>	Ground (281)
<b>Blue Wire</b>	Positive (735)
<b>Gray Wire</b>	Positive (7150)
<b>Purple Wire</b>	Positive (601 Amber)
<b>Orange Wire</b>	Mode (601 Amber)
<b>Current Draw</b>	0.80A @ 12V DC (Model 281) 7.00A @ 12V DC (Model 735) 12.00A @ 12V DC (Model 7150) 3.70A @ 12V DC (Model 601)

## REGULATORY STANDARDS COMPLIANCE

---



Buy America Standards

Eco Friendly

## PHOTOMETRIC SPECIFICATIONS

---

<b>Nominal LED Color Temperature</b>	5000 K
<b>Beam Pattern(s)</b>	Forward Lighting - Flood (Standard) Forward Lighting - Trapezoid

---

**Print date: 2018-05-20**

© 2018 J.W. Speaker Corporation • Germantown, WI U.S.A.  
www.jwspeaker.com • speaker@jwspeaker.com • 262.251.6660

# LED Light Bars - Model MB735

## APPLICATIONS

---



## RELATED PRODUCTS

---



**Part Number**  
**0343751**

12V SAE Mine Bar with  
1 Amber Strobe



**Part Number**  
**0343761**

12V SAE LED Light Bar  
with 1 Amber & 1 Red  
Strobe



**Part Number**  
**0345651**

12V SAE LED Light Bar  
with no Strobe Lights