

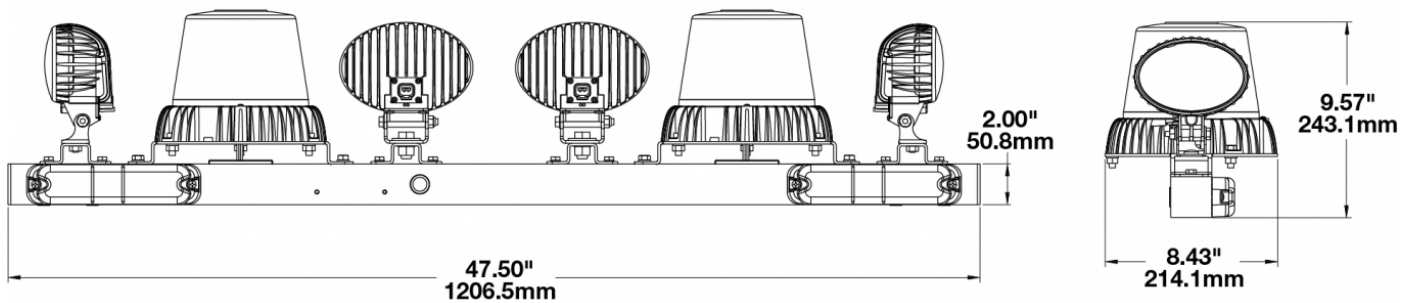
LED Light Bars - Model MB735

PRODUCT INFORMATION

Description	12V SAE LED Light Bar with 1 Amber & 1 Red Strobe
Height	243.08 mm / 9.57 in
Width	1206.50 mm / 47.5 in
Depth	214.12 mm / 8.43 in
Housing Color	Black
Mounting Hardware Description	2 blind rivets on each side for M8 mounting bolt
Product Weight	28.52 lbs / 12.94 kgs



PRODUCT DIMENSIONS



Print date: 2018-02-20

© 2018 J.W. Speaker Corporation • Germantown, WI U.S.A.
 www.jwspeaker.com • speaker@jwspeaker.com • 262.251.6660

J.W. SPEAKER
 Engineered. Lighting. Solutions.

LED Light Bars - Model MB735

ELECTRICAL SPECIFICATIONS

Input Voltage	12V DC
Red Wire	Stop (281)
Brown Wire	Tail (281)
White Wire	Reverse (281)
Black Wire	Ground (281)
Blue Wire	Positive (735)
Gray Wire	Positive (7150)
Purple Wire	Positive (601 Amber)
Orange Wire	Mode (601 Amber)
White/Red Wire	Positive (601 Red)
Red/Orange Wire	Mode (601 Red)
Current Draw	0.80A @ 12V DC (Model 281) 7.00A @ 12V DC (Model 735) 12.00A @ 12V DC (Model 7150) 3.70A @ 12V DC (Model 601)

REGULATORY STANDARDS COMPLIANCE



Buy America Standards

Eco Friendly

PHOTOMETRIC SPECIFICATIONS

Nominal LED Color Temperature	5000 K
Beam Pattern(s)	Forward Lighting - Flood (Standard) Forward Lighting - Trapezoid

Print date: 2018-02-20

© 2018 J.W. Speaker Corporation • Germantown, WI U.S.A.
www.jwspeaker.com • speaker@jwspeaker.com • 262.251.6660

LED Light Bars - Model MB735

APPLICATIONS



RELATED PRODUCTS



Part Number
0343751

12V SAE Mine Bar with
1 Amber Strobe



Part Number
0345381

12V SAE LED Light Bar
with 2 Amber Strobes



Part Number
0345651

12V SAE LED Light Bar
with no Strobe Lights