

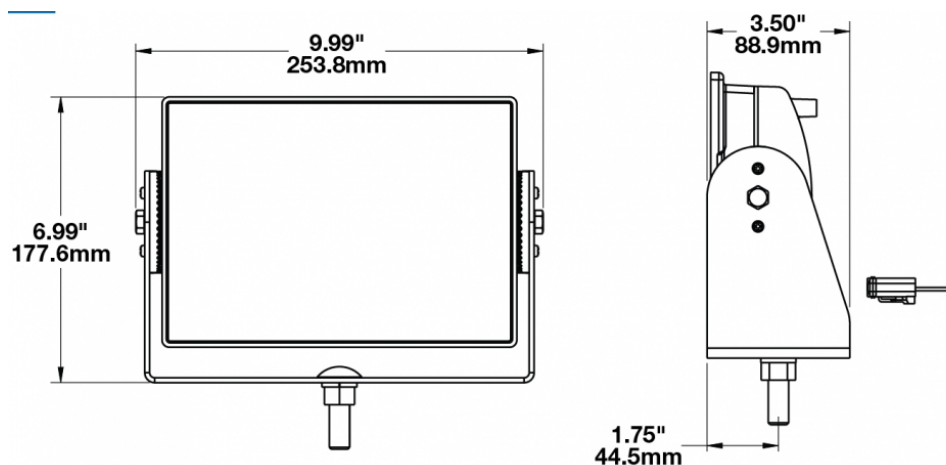
# LED Safety Light – Model 523 BLU

## PRODUCT INFORMATION

<b>Description</b>	24V LED Safety Light with Blue Light, Black Housing & Spot Beam Pattern
<b>Height</b>	177.60 mm / 6.99 in
<b>Width</b>	253.80 mm / 9.99 in
<b>Depth</b>	88.90 mm / 3.5 in
<b>Shape</b>	Rectangular
<b>Outer Lens Material</b>	Glass
<b>Outer Lens Color</b>	Clear
<b>Housing Material</b>	Die-Cast Aluminum
<b>Housing Color</b>	Black
<b>Mounting Hardware Description</b>	(x1) 1/2"-Mounting Bolt
<b>Mounting Type</b>	Universal Pedestal Mount
<b>Maximum Operating Temperature</b>	65 °C / 149 °F
<b>Connector or Wiring</b>	Integrated 2-Pin Deutsch Weather-Proof Socket (DT04-2P)
<b>Product Weight</b>	6.72 lbs / 3.05 kgs
<b>Shipping Weight</b>	8.40 lbs / 3.81 kgs



## PRODUCT DIMENSIONS



Print date: 2018-04-20

© 2018 J.W. Speaker Corporation • Germantown, WI U.S.A.  
[www.jwspeaker.com](http://www.jwspeaker.com) • [speaker@jwspeaker.com](mailto:speaker@jwspeaker.com) • 262.251.6660

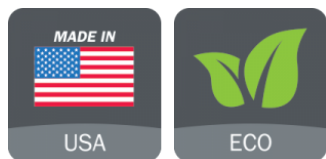
**J.W. SPEAKER**  
 Engineered. Lighting. Solutions.

# LED Safety Light – Model 523 BLU

## ELECTRICAL SPECIFICATIONS

<b>Input Voltage</b>	24V DC
<b>Operating Voltage</b>	20-32V DC
<b>Transient Spike Protection</b>	150V Peak @ 1 HZ-10 Pulses
<b>Red Wire</b>	Positive
<b>Black Wire</b>	Negative
<b>Current Draw</b>	4.3A @ 24V DC

## REGULATORY STANDARDS COMPLIANCE



Buy America Standards  
IEC IP67

Eco Friendly

## PHOTOMETRIC SPECIFICATIONS

<b>Raw Lumen Output</b>	1,675
<b>Effective Lumen Output</b>	864
<b>Candela Output</b>	42,300
<b>Beam Pattern(s)</b>	Warning - Keep Out Zone

## APPLICATIONS



Print date: 2018-04-20

© 2018 J.W. Speaker Corporation • Germantown, WI U.S.A.  
www.jwspeaker.com • speaker@jwspeaker.com • 262.251.6660

**J.W. SPEAKER**  
Engineered. Lighting. Solutions.