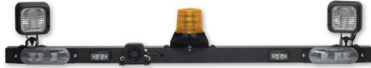


Product List

Model Number	Description
MB833-12V	12V Heavy Duty Roof Bar with Halogen Work Lights



Features & Benefits

- Includes:
 - (x1) Steel Support Bar
 - (x1) 405 Series 12-80V Amber LED Strobe or 12V Amber Rotating Beacon
 - (x2) 833 Series 12V Halogen Work Lamps
 - (x1) 300 Series 12-80V Backup Alarm
 - (x2) 281 Series 12V LED Rear Combination Lamps
- Available in a 12V DC configuration
- Attaches to existing roof systems

General Specifications

Lens Pattern :	Flood
Lens Material :	Glass
Warranty:	1-Year Limited Warranty
Housing Material :	Die-Cast Aluminum
Mounting :	Attaches to existing roof systems

Technical Specifications

MB833-12V

12V DC Input

1.000 Amps (Strobe); 5.000 Amps (Work Lamps); 0.6000 Amps (Backup Alarm); 0.400 Amps (Rear Combination) @ 12V DC
 0.600 Amps (Strobe); 0.600 (Backup Alarm) @ 24V DC
 0.600 Amps (Backup Alarm) @ 36V DC
 0.600 Amps (Backup Alarm) @ 48V DC
 0.600 Amps (Backup Alarm) @ 60V DC
 0.600 Amps (Backup Alarm) @ 80V DC
 Bulb Replacement: H3-12V Halogen Bulb

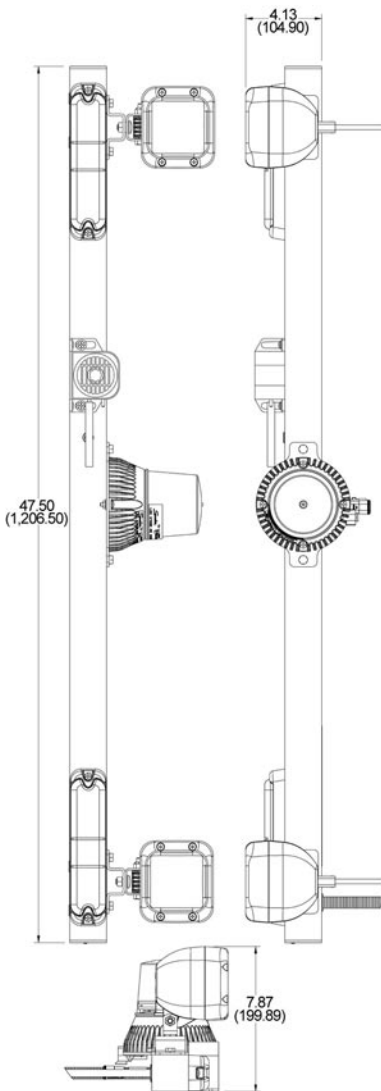
Standards Compliance

SAE J845 (Class 1)
 ECE Reg. 65
 Sealed to IP67 (Model 281 & Model 833)

ECE Reg. 10
 CE CISPR (22)

Applications

Construction	Industrial	Military
Mining	Off-Highway	Specialty Trucks
Utility		



Dimensions in inches (mm in parentheses).
 Dimensions are for reference only.