

# Adaptive LED Headlights - Model 8791 Adaptive

## PRODUCT INFORMATION

<b>Description</b>	12V DOT/ECE LED High & Low Beam Adaptive Headlight with Chrome Inner Bezel
<b>Height</b>	180.00 mm / 7.09 in
<b>Width</b>	180.00 mm / 7.09 in
<b>Depth</b>	94.00 mm / 3.7 in
<b>Shape</b>	Round
<b>Outer Lens Material</b>	Polycarbonate
<b>Outer Lens Color</b>	Clear
<b>Housing Material</b>	Die-cast Aluminum
<b>Housing Color</b>	Black
<b>Bezel Color</b>	Chrome
<b>Mounting Hardware Description</b>	0.75" Pedestal
<b>Retrofits</b>	Pedestal 7" Round Headlights (PAR56)
<b>Minimum Operating Temperature</b>	-40 °C / -40 °F
<b>Maximum Operating Temperature</b>	65 °C / 149 °F
<b>Connector or Wiring</b>	Bare Leads
<b>Shipping Weight</b>	3.87 lbs / 1.76 kgs



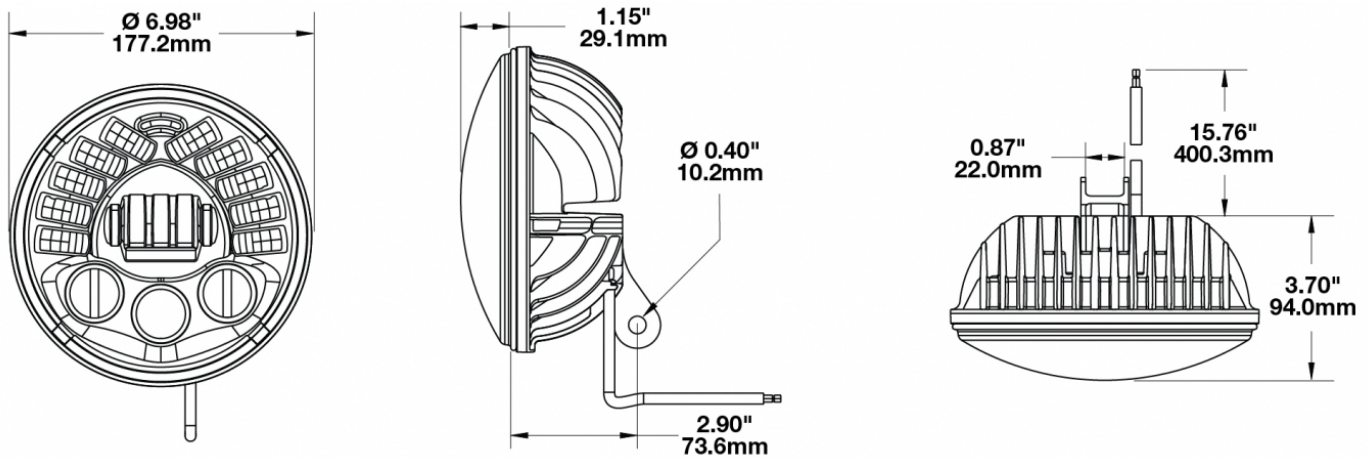
Print date: 2018-04-19

© 2018 J.W. Speaker Corporation • Germantown, WI U.S.A.  
[www.jwspeaker.com](http://www.jwspeaker.com) • [speaker@jwspeaker.com](mailto:speaker@jwspeaker.com) • 262.251.6660

**J.W. SPEAKER**   
 Engineered. Lighting. Solutions.

# Adaptive LED Headlights - Model 8791 Adaptive

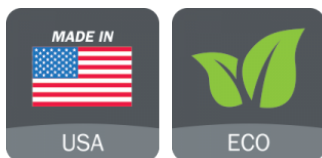
## PRODUCT DIMENSIONS



## ELECTRICAL SPECIFICATIONS

<b>Input Voltage</b>	12V DC
<b>Operating Voltage</b>	9-16V DC
<b>Black Wire</b>	Ground
<b>White Wire</b>	High Beam
<b>Yellow Wire</b>	Low Beam
<b>Red Wire</b>	Front Position
<b>Current Draw</b>	2.90A @ 13.5V DC (High Beam)
	1.90A @ 13.5V DC (Low Beam)
	3.50A @ 13.5V DC (Low Beam + Lean)
	0.09A @ 13.5V DC (Front Position)

## REGULATORY STANDARDS COMPLIANCE



Buy America Standards

Eco Friendly

Print date: 2018-04-19

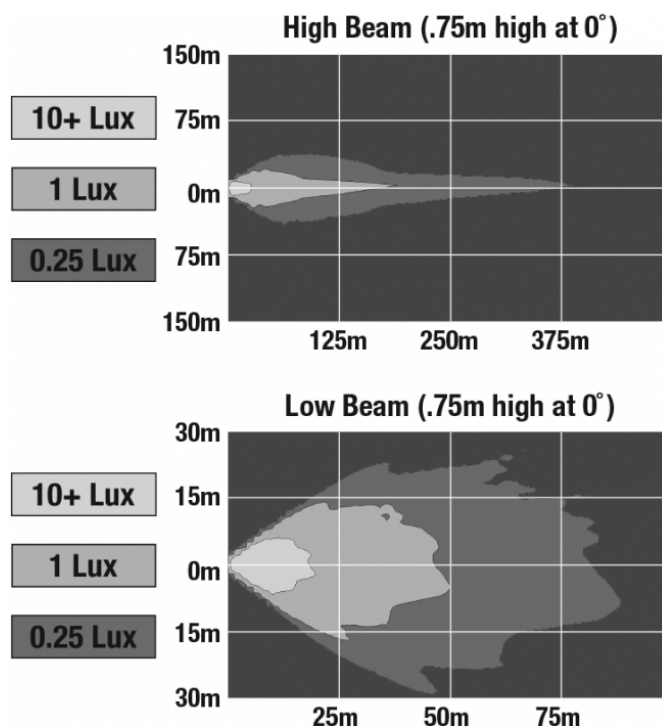
© 2018 J.W. Speaker Corporation • Germantown, WI U.S.A.  
[www.jwspeaker.com](http://www.jwspeaker.com) • [speaker@jwspeaker.com](mailto:speaker@jwspeaker.com) • 262.251.6660

**J.W. SPEAKER**  
 Engineered. Lighting. Solutions.

# Adaptive LED Headlights - Model 8791 Adaptive

## PHOTOMETRIC SPECIFICATIONS

<b>Raw Lumen Output</b>	2,250 (High Beam); 2025 (Low Beam)
<b>Effective Lumen Output</b>	1,150 (High Beam); 850 (Low Beam)
<b>Candela Output</b>	48,000 (High Beam); 11,500 (Low Beam)
<b>Nominal LED Color Temperature</b>	5000 K
<b>Beam Pattern(s)</b>	Forward Lighting - High Beam (DOT/ECE) Forward Lighting - Low Beam (DOT/ECE)



## APPLICATIONS



## INSTALLATION & APPLICATION INFORMATION

Headlight must be securely mounted and properly aimed such that the beam pattern cut off line complies with all applicable regulations. If you are not familiar with the legal requirements for aiming your headlights, please see a professional service provider. We recommend that headlights are aimed with a headlight aiming system for proper alignment.

Print date: 2018-04-19

© 2018 J.W. Speaker Corporation • Germantown, WI U.S.A.  
www.jwspeaker.com • speaker@jwspeaker.com • 262.251.6660

# Adaptive LED Headlights - Model 8791 Adaptive

## ADDITIONAL INFORMATION

---

Note about Front Position: The front position light is a requirement outside the United States. **If your bike is operated in the United States you do NOT need to connect this wire (red)** unless your bike is equipped with a front position light.

## RELATED PRODUCTS

---



**Part Number**

**0552451**

12V DOT/ECE LED High  
& Low Beam Adaptive  
Headlight with Black  
Inner Bezel