

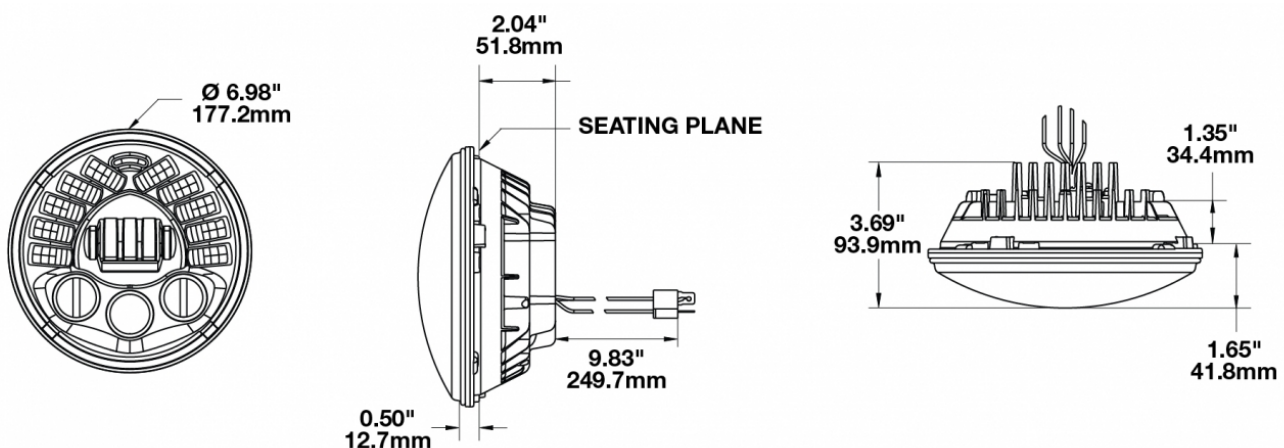
# Adaptive LED Headlights - Model 8790 Adaptive

## PRODUCT INFORMATION

|                                      |  |
|--------------------------------------|--|
| <b>Description</b>                   | 12V DOT/ECE LED High & Low Beam Adaptive Headlight with Chrome Inner Bezel |
| <b>Height</b>                        | 177.20 mm / 6.98 in  |
| <b>Width</b>                         | 177.20 mm / 6.98 in  |
| <b>Depth</b>                         | 93.68 mm / 3.69 in   |
| <b>Shape</b>                         | Round  |
| <b>Outer Lens Material</b>           | Polycarbonate  |
| <b>Outer Lens Color</b>              | Clear  |
| <b>Housing Material</b>              | Die-Cast Aluminum  |
| <b>Bezel Color</b>                   | Chrome   |
| <b>Retrofits</b>                     | Bucket 7" Round Headlights (PAR56)   |
| <b>Minimum Operating Temperature</b> | -40 °C / -40 °F  |
| <b>Maximum Operating Temperature</b> | 65 °C / 149 °F   |
| <b>Connector or Wiring</b>           | H4   |
| <b>Mating Connector</b>              | H4 AMP#172615-2  |



## PRODUCT DIMENSIONS



Print date: 2017-06-26

© 2017 J.W. Speaker Corporation • Germantown, WI U.S.A.  
 www.jwspeaker.com • speaker@jwspeaker.com • 262.251.6660

# Adaptive LED Headlights - Model 8790 Adaptive

## ELECTRICAL SPECIFICATIONS

|                          |   |
|--------------------------|---|
| <b>Input Voltage</b>     | 12V DC  |
| <b>Operating Voltage</b> | 9-16V DC  |
| <b>Black Wire</b>        | Ground  |
| <b>White Wire</b>        | High Beam   |
| <b>Yellow Wire</b>       | Low Beam  |
| <b>Red Wire</b>          | Front Position  |
| <b>Current Draw</b>      | 2.90A @ 13.5V DC (High Beam)<br>1.90A @ 13.5V DC (Low Beam)<br>3.50A @ 13.5V DC (Low Beam at Full Lean)<br>0.092A @ 13.5V DC (Front Position) |

## REGULATORY STANDARDS COMPLIANCE



Buy America Standards  
ECE Reg 50  
FMVSS 108 Table XX  
SAE J575  
Tested to ECE Reg. 10  
(Radiated Emissions only)

ECE Reg 113 Class D  
Eco Friendly  
IEC IP67  
SAE J584

Print date: 2017-06-26

© 2017 J.W. Speaker Corporation • Germantown, WI U.S.A.  
www.jwspeaker.com • speaker@jwspeaker.com • 262.251.6660

**J.W. SPEAKER**  
Engineered. Lighting. Solutions.

# Adaptive LED Headlights - Model 8790 Adaptive

## PHOTOMETRIC SPECIFICATIONS

|                                      |   |
|--------------------------------------|---|
| <b>Raw Lumen Output</b>              | 2,250 (High Beam); 2,025 (Low Beam)   |
| <b>Effective Lumen Output</b>        | 1,150 (High Beam); 850 (Low Beam)   |
| <b>Candela Output</b>                | 48,000 (High Beam); 11,500 (Low Beam)   |
| <b>Nominal LED Color Temperature</b> | 5000 K  |
| <b>Beam Pattern(s)</b>               | Forward Lighting - High Beam (DOT/ECE)<br>Forward Lighting - Low Beam (DOT/ECE) |



## APPLICATIONS



## ADDITIONAL INFORMATION

Headlight must be securely mounted and properly aimed such that the beam pattern cut off line complies with all applicable regulations. If you are not familiar with the legal requirements for aiming your headlights, please see a professional service provider. We recommend that headlights are aimed with a headlight aiming system for proper alignment.

Note about Front Position: The front position light is a requirement outside the United States. **If your bike is operated in the United States you do NOT need to connect this wire (red)** unless your bike is equipped with a front position light.

Print date: 2017-06-26

© 2017 J.W. Speaker Corporation • Germantown, WI U.S.A.  
www.jwspeaker.com • speaker@jwspeaker.com • 262.251.6660

**J.W. SPEAKER**  
Engineered. Lighting. Solutions.

# Adaptive LED Headlights - Model 8790 Adaptive

## DISABLING THE STARTUP PATTERN

---

The front position wire (red) must have power applied prior to applying power to the low beam (yellow). This can be accomplished through wiring the red wire into an auxiliary power source/ switch and turn the front position function on prior to supplying power to the low beam.

## ACCESSORIES

---



**Part Number**  
**3156351**

Mounting Ring Kit for  
7" Round (PAR56)  
Headlights

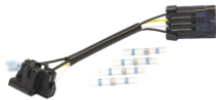
## RELATED PRODUCTS

---



**Part Number**  
**0551321**

12V DOT/ECE LED High  
& Low Beam Adaptive  
Headlight with Black  
Inner Bezel



**Part Number**  
**8200411**

Wire Harness H4 for 7"  
Round (PAR56)  
Headlights