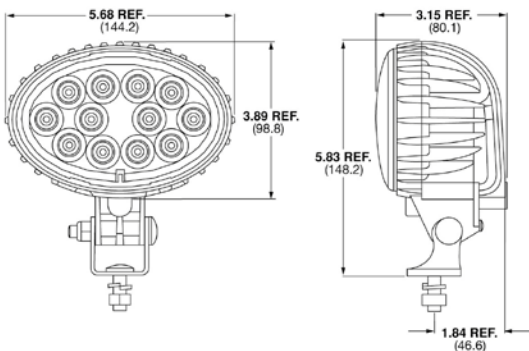


**PRODUCT SPECIFICATION SHEET**

February 2010



Dimensions in inches (mm in parentheses)  
Dimensions are for reference only.

# MODEL 735

## 12V, 24V & 12-32V LED WORK LAMPS

**Model Number**

735F-12V  
735S-12V  
735T-12V

**Description**

12V LED Work Lamp – Flood  
12V LED Work Lamp – Spot  
12V LED Work Lamp – Trap

735F-24V  
735S-24V  
735T-24V

24V LED Work Lamp – Flood  
24V LED Work Lamp – Spot  
24V LED Work Lamp – Trap

735F-12/32V  
735S-12/32V  
735T-12/32V

12-32V LED Work Lamp – Flood  
12-32V LED Work Lamp – Spot  
12-32V LED Work Lamp – Trap

**Applications**

- Agriculture
- Construction
- Material Handling
- Specialty Trucks

**Features & Benefits**

- Available in 12V, 24V, or 12-32V
- Flood, Spot and Trap configurations
- Rugged solid state LEDs can withstand shock & vibration
- Long-lasting LEDs mean never having to replace another bulb again!
- 4-year limited warranty

**Product Specifications**

- Light Source: Light Emitting Diodes (LEDs)
- Output: Raw: 2700 Lumens; Effective: 1400 Lumens
- Input Voltage: 12V DC, 24V DC, or 12-32V DC
- Current Draw: 3.7 Amps @ 12V (12V Version)  
1.7 Amps @ 24V (24V Version)  
3 Amps @ 12V; 1.5 Amps @ 24V; 1 Amp @ 32V (12-32V Version)
- Lens: Polycarbonate Inner Lens; Glass Outer Lens
- Housing: Die-Cast Aluminum
- Connector: Integrated 2-Pin Deutsch Weather-Proof Socket (DT04-2P)
- Mounting: Universal Mount; Includes 5/16-18 x .5/8" Bolt
- Mating Connector: 2-Pin Deutsch Weather-Proof Plug (DT06-2S)

**Standards Compliance**

- SAE J575 (Sealed, Shock & Vibration)
- SAE J1113 (Electromagnetic Interference)
- SAE J1455 (Steady State Jumper Starts)
- Sealed to IP67

