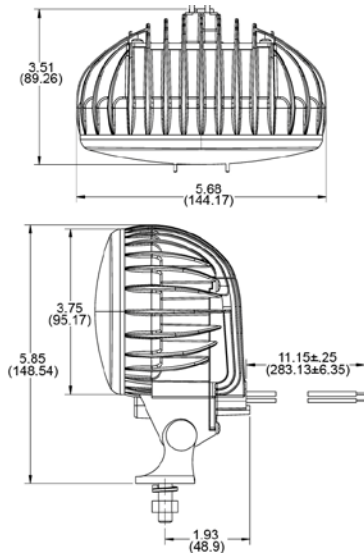


PRODUCT SPECIFICATION SHEET

February 2010



Dimensions in inches (mm in parentheses)
Dimensions are for reference only.

MODEL 704

12-48V LED OVAL WORK LAMP & TURN SIGNAL

Model Number

704-12/48V RH
704-12/48V LH

Description

12-48V LED Oval Work Lamp & Turn Signal – Right Hand
12-48V LED Oval Work Lamp & Turn Signal – Left Hand

Applications

- Agriculture
- Construction
- Material Handling
- Specialty Trucks
- Utility

Features & Benefits

- Multi-voltage (12-48 volts DC) adds versatility & reduces SKUs
- White LEDs for visibility & amber flashers for turn signal functionality
- Rugged solid state LEDs can withstand shock & vibration
- Long-lasting LEDs mean never having to replace another bulb again!
- 4-year limited warranty

Product Specifications

- Light Source: Light Emitting Diodes (LEDs)
- Output: Raw: 500 Lumens; Effective: 400 Lumens
- Input Voltage: 12-48V DC
- Current Draw: 1.20 Amps @ 12V; 0.35 Amps @ 48V (Work Lamp)
0.18 Amps @ 12V; 0.06 Amps @ 48V (Turn Signal)
- Lens: Polycarbonate
- Housing: Die-Cast Aluminum
- Connector: Integrated 2-Pin Deutsch Weather-Proof Socket (DT04-2P)
- Mounting: Universal Mount; Includes 5/16-18 x 1" Mounting Bolt
- Mating Connector: 2-Pin Deutsch Weather-Proof Plug (DT06-2S)

Standards Compliance

- ECE Reg. 6 (Turn Signal)
- Sealed to IP67

