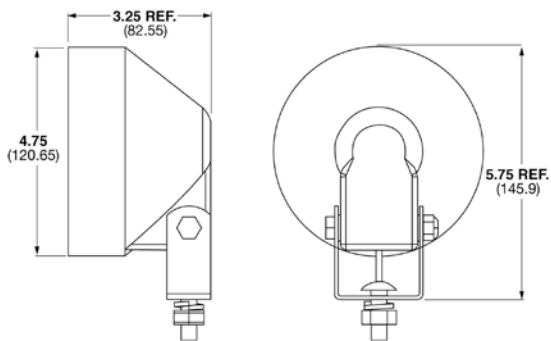


PRODUCT SPECIFICATION SHEET

February 2010



Dimensions in inches (mm in parentheses)
Dimensions are for reference only.

MODEL 6700

LED WORK LAMP IN HEAVY DUTY RUBBER HOUSING

<i>Model Number</i>	<i>Description</i>
6700F/6040-12/48V	12-48V LED Par36 Work Lamp – Glass Flood Lens
6700F-1/6040-12/48V	12-48V LED Par36 Work Lamp – Glass Flood Lens with Switch
6700T/6040-12/48V	12-48V LED Par36 Work Lamp – Glass Trap Lens
6700T-1/6040-12/48V	12-48V LED Par36 Work Lamp – Glass Trap Lens with Switch
6700F/6041-12/48V	12-48V LED Par36 Work Lamp – Polycarbonate Flood Lens Available in Clear, Amber, Blue, Green or Red

Applications

- Agriculture
- Machinery
- Military
- Construction
- Material Handling

Features & Benefits

- Multi-voltage (12-24V or 12-48V) means fewer SKUs
- Flood & Trap configurations
- Rugged solid state LEDs can withstand shock & vibration
- Long-lasting LEDs mean never having to replace another bulb again!
- Flood pattern replaces the following sealed beams:
4406-12V; 4414-12V; 4593-24V
- Trap pattern replaces the following sealed beams:
4411-12V; 4589-24V; 4350-36V; 4340-48V

Product Specifications

- Light Source: Light Emitting Diodes (LEDs)
- Output: Raw: 690 Lumens; Effective: 320 Lumens (12/48V Models)
Raw: 780 Lumens; Effective: 550 Lumens (12/24V Models)
- Input Voltage: 12-24V DC or 12-48V DC
- Current Draw: 1.2 Amps @ 12V; 0.63 Amps @ 24V
0.42 Amps @ 36V; 0.315 Amps @ 48V
- Lens: Polycarbonate (Flood Only); Glass (Flood or Trap)
- Housing: Rubber
- Mounting: Universal Mount
- Wiring: Pre-wired w/ 300mm Cable

Standards Compliance

- UL Recognized
- SAE J1113 (Electromagnetic Interference) – 12/48V Models Only
- SAE J1455 (Steady State Jumper Starts) – 12/48V Models Only
- MIL-STD-461F (Electromagnetic Interference) – 12/24V Models Only
- Sealed to IP67

