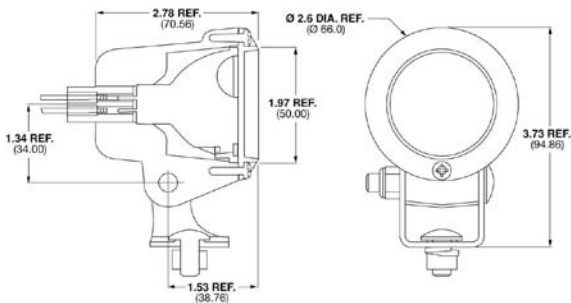


PRODUCT SPECIFICATION SHEET

April 2010



Dimensions in inches (mm in parentheses)
Dimensions are for reference only.

MODEL 4400

LED COMPACT WORK LAMP

<i>Model Number</i>	<i>Description</i>
4400-12V	12V LED Compact Work Lamp

Applications

- Golf Carts
- Light Construction
- Groundskeeping
- Utility

Features & Benefits

- Available with clear, amber or red lenses to fit most applications
- Rugged solid state LEDs can withstand shock & vibration
- Long-lasting LEDs mean never having to replace another bulb again!
- 4-year limited warranty

Product Specifications

- Light Source: Light Emitting Diodes (LEDs)
- Output: Raw: 210 Lumens; Effective: 125 Lumens
- Input Voltage: 12V DC
- Current Draw: 0.25 Amps @ 12V
- Lens: Polycarbonate
- Housing: Polycarbonate
- Connector: Integrated 2-Pin Deutsch Weather-Proof Socket (DT04-2P)
- Mounting: Universal Mount; 5/16-18 x 0.625 Mounting Bolt
- Mating Connector: 2-Pin Deutsch Weather-Proof Plug (DT06-2S)

Standards Compliance

- Sealed to IP67

