

PRODUCT BULLETIN

January 2006



MODEL 4200

MR16 ROUND LAMP WITH DIE CAST HOUSING

High impact work lamp with die cast housing designed for rugged applications.

The Model 4200/MR16 halogen work lamp with die cast aluminum housing was designed for heavy duty applications including road repair, construction, specialty truck and agriculture vehicles. This lamp features a long-life MR halogen bulb and an integrated 2-pin Deutsch socket. For flood-type beam patterns, choose the 36° spread version. The 12° spread version approximates a trapezoid beam pattern.

VEHICLE APPLICATIONS

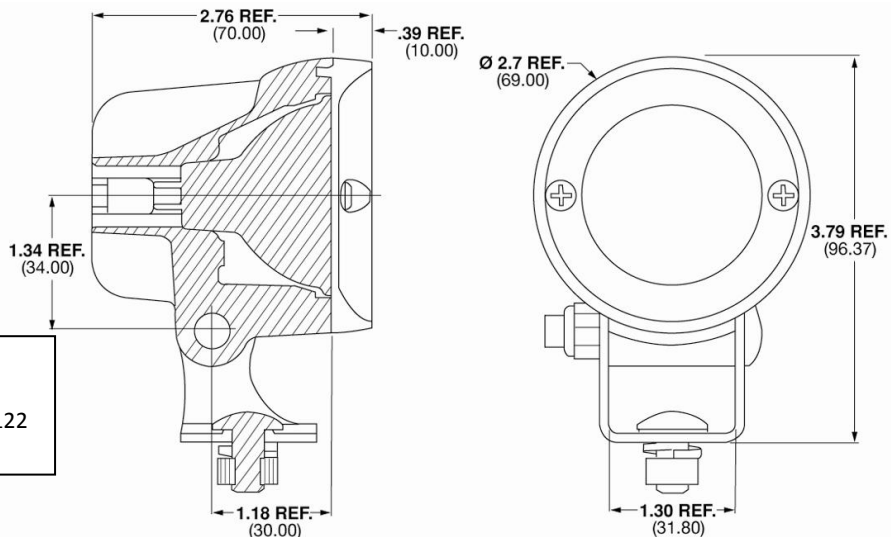
- Road repair
- Construction
- Agriculture
- Specialty trucks

FEATURES

- Tough die cast aluminum housing
- High-impact MR bulb
- Universal hardware easily mounts to any flat surface

MODEL NUMBER	DESCRIPTION
Model 4200	12V Work Lamp
PRODUCT SPECIFICATIONS	
Light Source	Replaceable MR-16 35W Bulb
Input Voltage	12V DC
Current Draw	1.75 Amps
Light Patterns	12° spread – trapezoid pattern 36° spread – flood pattern
Standards	SAE J575 - Environmental
Connector	Integrated 2-pin Deutsch weather-proof socket
Mounting	Universal mount

Dimensions in inches (mm in parentheses) / Dimensions are for reference only.



Mating Connectors:
 Deutsch Connector Plug – DT06-2S
 Deutsch Terminal Socket – 1062-16-0122
 Deutsch Wedge Lock – WS2