



MODEL 4100

ROUND RUBBER WORK LAMP – MAGNET MOUNT

High impact, low-cost work lamp is shock-resistant.

The Model 4100/MR16 halogen work lamp is a low-cost solution with high impact designed for the lawn & garden and golf & turf markets but equally effective on utility and industrial vehicles as well. Featuring a durable, shock-resistant rubber housing with a long-life MR bulb, this lamp also has an integrated 2-pin Deutsch socket. Change mounting positions easily with the magnetic base.

VEHICLE APPLICATIONS

- Golf & turf
- Lawn & garden
- Utility vehicles

FEATURES

- Shock-resistant rubber housing
- High-impact MR bulb
- Strong magnet easily holds to any flat surface

MODEL NUMBER

Model 4100

DESCRIPTION

12V Work Lamp with Magnet base

PRODUCT SPECIFICATIONS

Light Source

Replaceable MR-16 20W Bulb

Input Voltage

12V DC

Current Draw

1.75 Amps

Light Patterns

12° spread – trapezoid pattern

36° spread – flood pattern

Standards

SAE J575 - Environmental

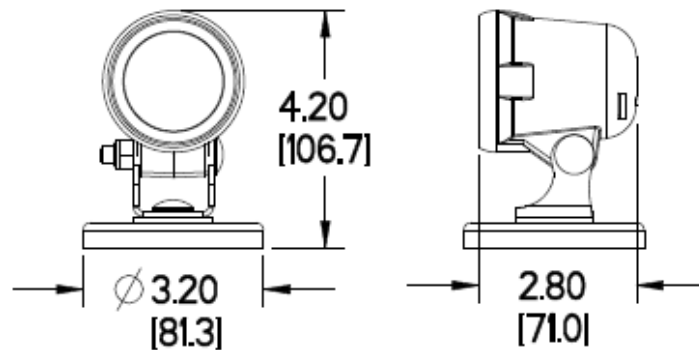
Connector

Integrated 2-pin Deutsch weather-proof socket

Mounting

Universal mount

Dimensions in inches (mm in parentheses) / Dimensions are for reference only.



**MATING DEUTSCH CONNECTOR: DT06-25,
TERMINAL: 1062-16-0122, WEDGE LOCK: WS2**