

PRODUCT BULLETIN

March 2006

**MODEL 4100****ROUND RUBBER WORK LAMP**

High impact, low-cost work lamp is shock-resistant.

The Model 4100/MR16 halogen work lamp is a low-cost solution with high impact designed for the lawn & garden and golf & turf markets but equally effective on utility and industrial vehicles as well. Featuring a durable, shock-resistant rubber housing with a long-life MR bulb, this lamp also has an integrated 2-pin Deutsch socket. Choose from a 12° spread bulb to approximate a trapezoid beam pattern, or a 36° spread to approximate a flood pattern.

VEHICLE APPLICATIONS

- Golf & turf
- Lawn & garden
- Utility vehicles

FEATURES

- Shock-resistant rubber housing
- High-impact MR bulb
- Universal hardware easily mounts to any flat surface

MODEL NUMBER

Model 4100

DESCRIPTION

12V Work Lamp

PRODUCT SPECIFICATIONS**Light Source**

Replaceable MR-16 20W Bulb

Input Voltage

12V DC

Current Draw

1.75 Amps

Light Patterns

12° spread – trapezoid pattern

36° spread – flood pattern

Standards

SAE J575 - Environmental

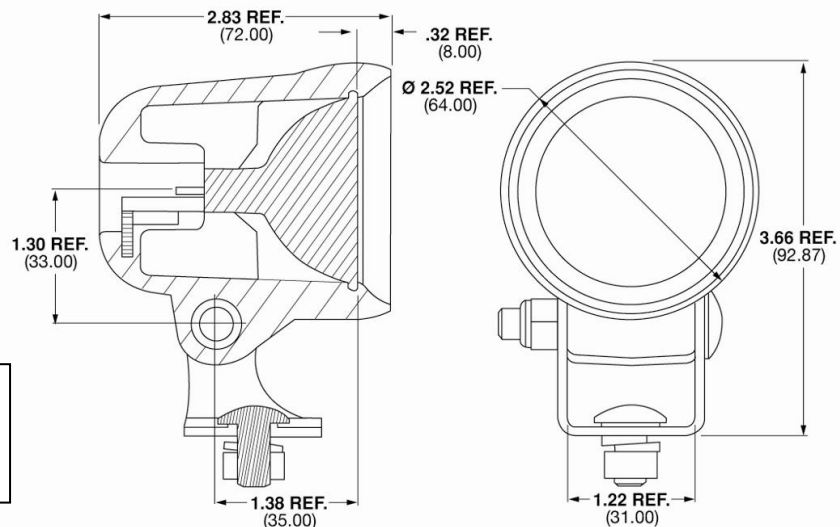
Connector

Integrated 2-pin Deutsch weather-proof socket

Mounting

Universal mount

Dimensions in inches (mm in parentheses) / Dimensions are for reference only.



Mating Connectors:
 Deutsch Connector Plug – DT06-2S
 Deutsch Terminal Socket – 1062-16-0122
 Deutsch Wedge Lock – WS2