

PRODUCT SPECIFICATION SHEET

August 2005



MODEL 186

LED UTILITY LAMPS

<i>Model Number</i>	<i>Description</i>
186-12/24V	12-24V LED Utility Lamp

Applications

- Buses
- Trucks
- Marine
- Any Cab Application

Features & Benefits

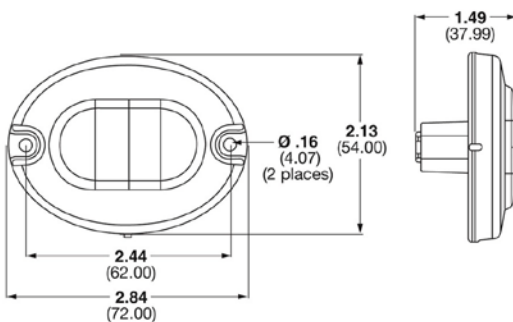
- Multi-voltage (12-24V DC) adds versatility & reduces SKUs
- Rugged solid state LEDs can withstand shock & vibration
- Long-lasting LEDs mean never having to replace another bulb again!
- 4-year limited warranty

Product Specifications

- Light Source: Light Emitting Diodes (LEDs)
- Input Voltage: 12-24V DC
- Current Draw: 0.105 Amps @ 12V & 24V
- Lens: Polycarbonate
- Housing: Polycarbonate
- Connector: Integrated 2-Pin Deutsch Socket (DT04-2P)
- Mounting: Flat/Panel Mount
- Mating Connector: 2-Pin Deutsch Plug (DT06-2S)

Standards Compliance

- Meets CE Requirements
- Sealed to IP67



Dimensions in inches (mm in parentheses)
Dimensions are for reference only.

