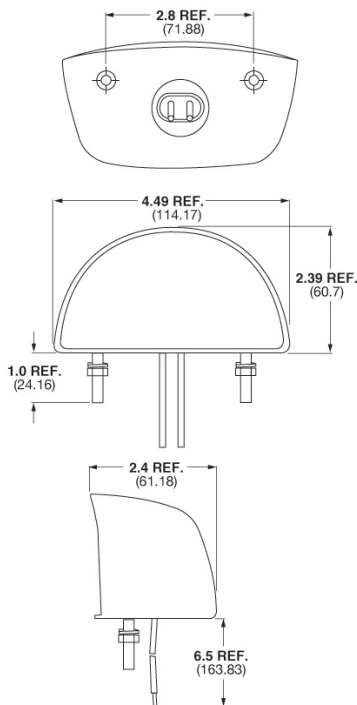


PRODUCT SPECIFICATION SHEET

April 2010



Dimensions in inches (mm in parentheses)
Dimensions are for reference only.

MODEL 125

LED LICENSE PLATE ILLUMINATOR LAMP

<i>Model Number</i>	<i>Description</i>
125-12/24V	12-24V LED License Plate Illuminator Lamp

Applications

- Agriculture
- Mining
- Construction
- Specialty Trucks

Features & Benefits

- Multi-voltage (12-24 volts DC) adds versatility & reduces SKUs
- Rugged solid state LEDs can withstand shock & vibration
- Long-lasting LEDs mean never having to replace another bulb again!
- 4-year limited warranty

Product Specifications

- Light Source: Light Emitting Diodes (LEDs)
- Input Voltage: 12-24V DC
- Current Draw: 0.23 Amps (Max.)
- Lens: Polycarbonate
- Housing: Polycarbonate
- Mounting: Universal Mount; (x2) M5-.8 x 30mm Mounting Bolt
- Wiring: 6" Bare Wire

Standards Compliance

- SAE (DOT) J587 (License Plate Illuminators)
- ECE Reg. 4 (License Plate Illuminators)
- ECE Reg. 50 (Rear Position Lamps)
- Sealed to IP67

