

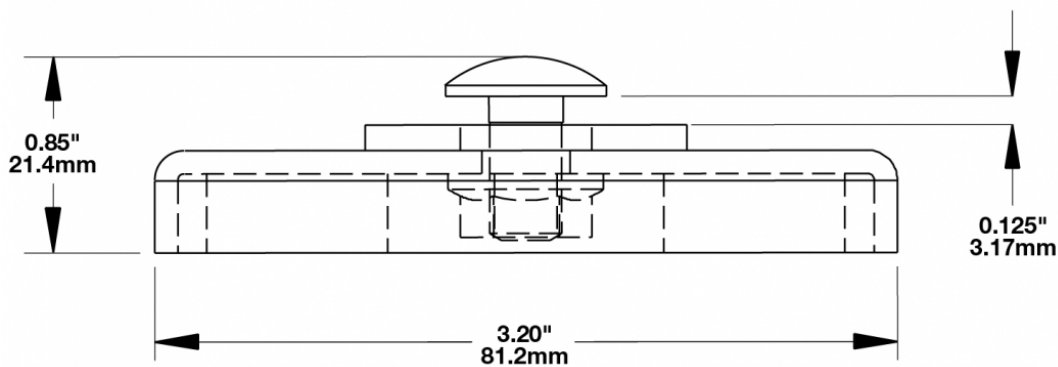
Magnet Mount Kit for XD Series Work Lights

PRODUCT INFORMATION

Description	Magnet Mount Kit for XD Series Work Lights
Shipping Weight	0.70 lbs / 0.32 kgs



PRODUCT DIMENSIONS



Print date: 2017-10-18

© 2017 J.W. Speaker Corporation • Germantown, WI U.S.A.
www.jwspeaker.com • speaker@jwspeaker.com • 262.251.6660

Magnet Mount Kit for XD Series Work Lights

REGULATORY STANDARDS COMPLIANCE



Buy America Standards

SUITS THESE PRODUCTS



4.5" Round LED Work Lamps

LED Work Light - Model 670 XD



5.75" Round LED Work Lamps

LED Work Light - Model 680 XD



3" x 5" LED Work Lamps

LED Work Light - Model 736



5" x 3" Oval LED Work Lamps

LED Work Light - Model 770 XD



3" x 5" Round LED Work Lamps

LED Work Light - Model 771 XD



3" x 5" Combination Work Lamp & Turn Signal

LED Work Light & Turn Signal - Model 775 XD



3" x 5" LED Dual Beam Work Lamps

LED Dual Beam Work Light - Model 776 XD



4" x 4" LED Work Lamps

LED Work Light - Model 840 XD

Print date: 2017-10-18

© 2017 J.W. Speaker Corporation • Germantown, WI U.S.A.
www.jwspeaker.com • speaker@jwspeaker.com • 262.251.6660