

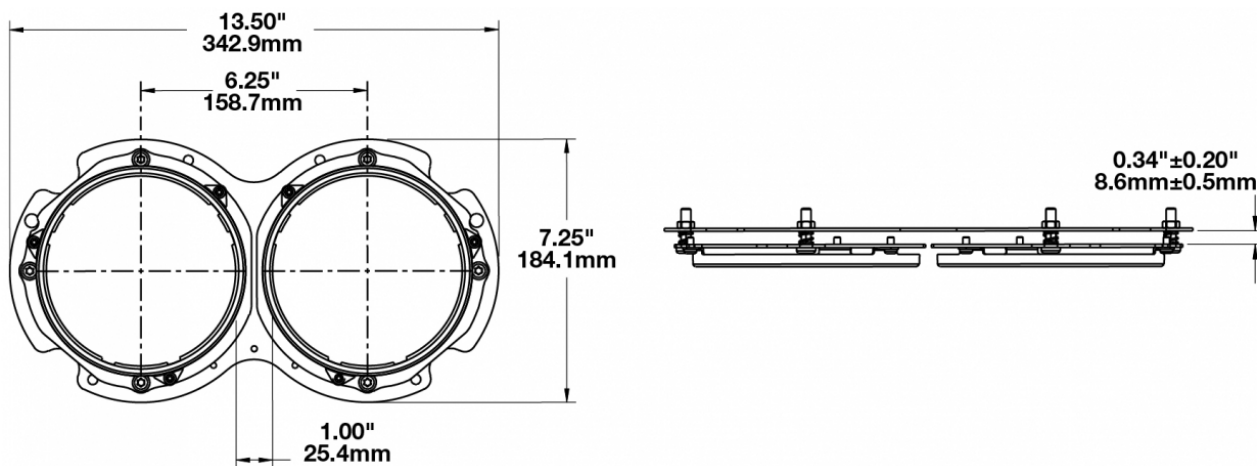
# Double Ring Kit Mounting Assembly for LED Headlight Model 8630

## PRODUCT INFORMATION

<b>Description</b>	Double Ring Kit Mounting Assembly for LED Headlight Model 8630
<b>Height</b>	342.90 mm / 13.5 in
<b>Width</b>	184.15 mm / 7.25 in
<b>Product Weight</b>	1.45 lbs / 0.66 kgs
<b>Shipping Weight</b>	2.06 lbs / 0.93 kgs



## PRODUCT DIMENSIONS



Print date: 2018-10-22

© 2018 J.W. Speaker Corporation • Germantown, WI U.S.A.  
 www.jwspeaker.com • speaker@jwspeaker.com • 262.251.6660

# Double Ring Kit Mounting Assembly for LED Headlight Model 8630

**REGULATORY STANDARDS COMPLIANCE**



Buy America Standards

## APPLICATIONS



## SUITS THESE PRODUCTS



**5.75" Round Headlights**

LED Headlights - Model 8630 Evolution



**5.75" Round Headlights with Turn Signal**

LED Headlight - Model 8631 Evolution

Print date: 2018-10-22

© 2018 J.W. Speaker Corporation • Germantown, WI U.S.A.  
www.jwspeaker.com • speaker@jwspeaker.com • 262.251.6660