

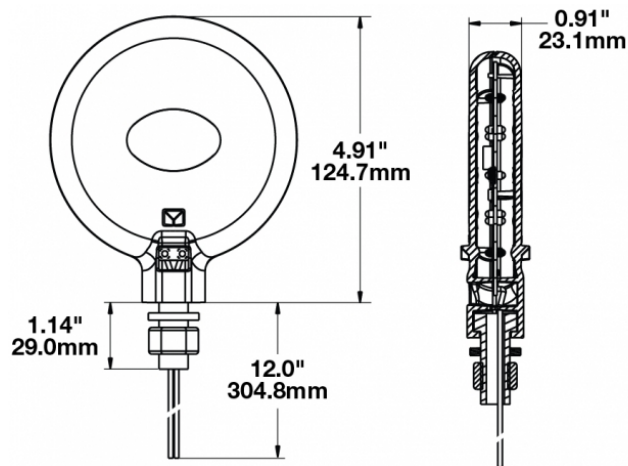
Model 206 LED Turn Signal Light

PRODUCT INFORMATION

Description	12-24V ECE/SAE Single-Sided LED Stop & Tail Light without Guard
Height	124.71 mm / 4.91 in
Width	124.71 mm / 4.91 in
Depth	23.11 mm / 0.91 in
Shape	Round
Outer Lens Material	Polycarbonate
Outer Lens Color	Red
Housing Material	Polycarbonate
Housing Color	Black
Mounting Hardware Description	(x1) 1/2"-13 x 1.25" Hollow Mounting Stud
Mounting Type	Hollow Stud Mount
Minimum Operating Temperature	-40 °C / -40 °F
Maximum Operating Temperature	65 °C / 149 °F
Connector or Wiring	12" Bare Leads
Shipping Weight	1.80 lbs / 0.82 kgs



PRODUCT DIMENSIONS



Print date: 2018-05-20

© 2018 J.W. Speaker Corporation • Germantown, WI U.S.A.
 www.jwspeaker.com • speaker@jwspeaker.com • 262.251.6660

J.W. SPEAKER 
 Engineered. Lighting. Solutions.

Model 206 LED Turn Signal Light

ELECTRICAL SPECIFICATIONS

Input Voltage	12-24V DC
Black Wire	Ground
Red Wire	Stop
White Wire	Tail
Current Draw	0.100 A @ 12V DC (Stop) 0.05A @ 24V DC (Stop) 0.010A @ 12V DC (Tail) 0.006A @ 24V DC (Tail)

REGULATORY STANDARDS COMPLIANCE



ASABE S279	Buy America Standards
ECE Reg 7	Eco Friendly
FMVSS 108 Table IX	FMVSS 108 Table VIII
IEC IP67	SAE J2040
SAE J585	SAE J586

PHOTOMETRIC SPECIFICATIONS

Beam Pattern(s)	Signalization - Stop Signalization - Tail
------------------------	----------------------------------------------

APPLICATIONS



Print date: 2018-05-20

© 2018 J.W. Speaker Corporation • Germantown, WI U.S.A.
www.jwspeaker.com • speaker@jwspeaker.com • 262.251.6660

J.W. SPEAKER®
Engineered. Lighting. Solutions.

Model 206 LED Turn Signal Light

RELATED PRODUCTS



Part Number
0341681

12-24V SAE Double-Sided LED Turn Signal without Guard



Part Number
0341931

12-24V SAE Double-Sided LED Turn Signal with Guard



Part Number
0342781

12-24V ECE/SAE Single-Sided LED Stop & Tail Light with Guard