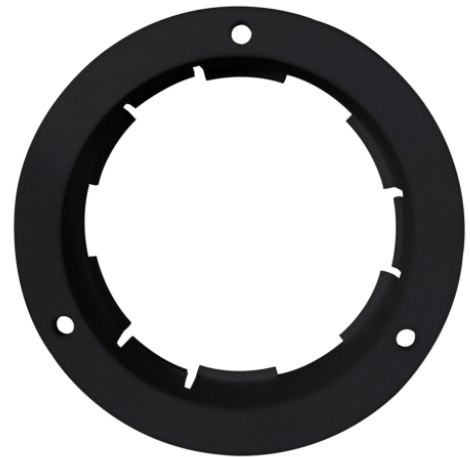


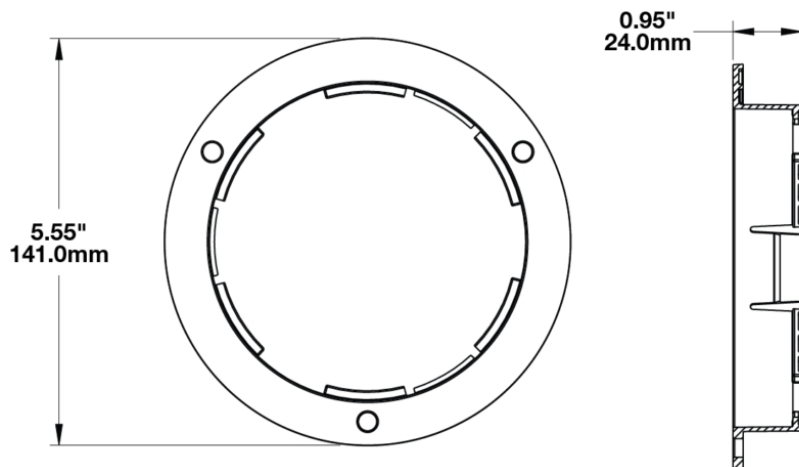
# 4" Round Plastic Mounting Flange for Model 234

## PRODUCT INFORMATION

<b>Description</b>	4" Round Plastic Mounting Flange for Model 234
<b>Height</b>	141.00 mm / 5.55 in
<b>Width</b>	141.00 mm / 5.55 in
<b>Shape</b>	Round
<b>Housing Material</b>	Plastic
<b>Housing Color</b>	White
<b>Mounting Hardware Description</b>	(x1)
<b>Product Weight</b>	0.10 lbs / 0.05 kgs
<b>Additional Information</b>	Designed to fit Diameter for a 4.50" panel hole.



## PRODUCT DIMENSIONS



Print date: 2018-06-24

© 2018 J.W. Speaker Corporation • Germantown, WI U.S.A.  
www.jwspeaker.com • speaker@jwspeaker.com • 262.251.6660

# 4" Round Plastic Mounting Flange for Model 234

## REGULATORY STANDARDS COMPLIANCE

---



Buy America Standards



Eco Friendly

## APPLICATIONS

---



## MODEL 234 MOUNTING ACCESSORIES

---

J.W. Speaker offers a variety of mounting accessories, sold separately from the tail lights as single parts.

- Chrome Finish Plastic Trim Ring can be used with the Rubber Mounting Grommet (2 & 1).
- Stainless Steel Trim Ring can be used with the Plastic Mounting Flange (4 & 3).



Part No. 3270501



Part No. 8200451



Part No. 5869401



Part No. 8200441

---

Print date: 2018-06-24

© 2018 J.W. Speaker Corporation • Germantown, WI U.S.A.  
www.jwspeaker.com • speaker@jwspeaker.com • 262.251.6660

# 4" Round Plastic Mounting Flange for Model 234

## SUITS THESE PRODUCTS

---



### **4" Heated & Non-Heated Tail Lights**

LED Tail Lights - Model 234